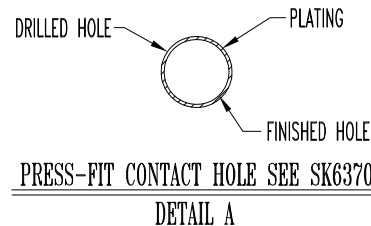
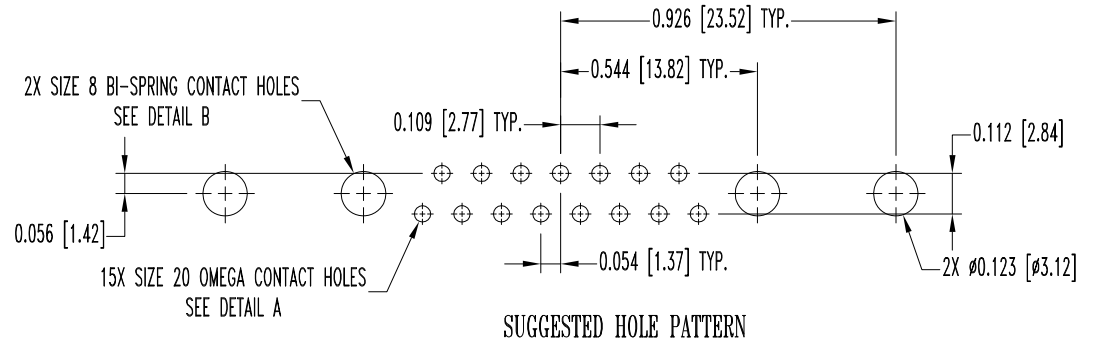
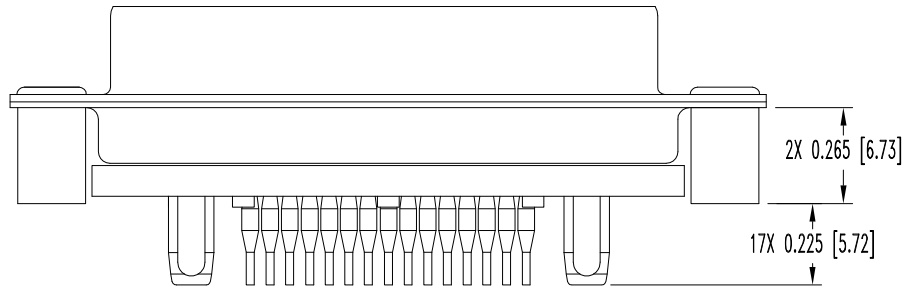
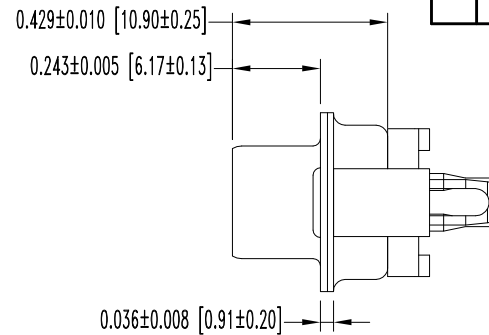
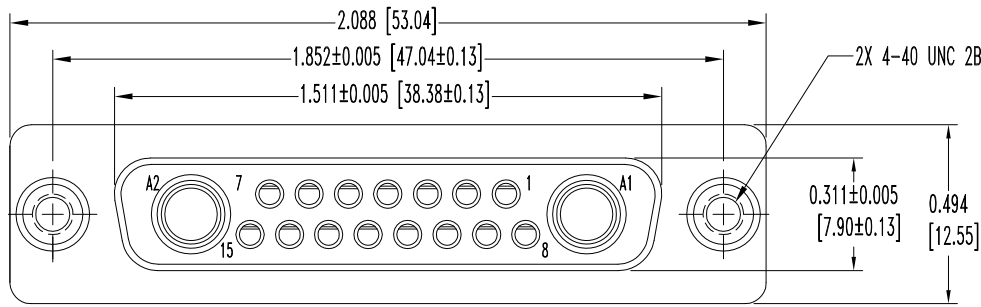


THIS DRAWING CONTAINS INFORMATION PROPRIETARY TO POSITRONIC AND ITS SUBSIDIARIES. POSITRONIC BELIEVES THE DATA ON THIS DRAWING TO BE RELIABLE. SINCE THE TECHNICAL INFORMATION IS GIVEN FREE OF CHARGE, THE USER EMPLOYS SUCH INFORMATION AT HIS OWN DISCRETION AND RISK. POSITRONIC ASSUMES NO RESPONSIBILITY FOR RESULTS OBTAINED OR DAMAGES INCURRED FROM USE OF SUCH INFORMATION IN WHOLE OR IN PART.

DATE	REV	REVISION RECORD	APP	DR	CK
5-21-09	NC	ECO 31054	RCW	BS	COLE
3-19-10	A	ECO 32267	COLE	BE	COLE



NOTES:

1. MATERIALS AND FINISHES:

INSULATOR: GLASS FILLED POLYESTER PER ASTM D5927, UL 94V-0, COLOR: BLUE.  
 SIGNAL CONTACTS: PRECISION MACHINED HIGH TENSILE COPPER ALLOY WITH BERYLLIUM COPPER CLIP, 0.000050 [1.27µ] GOLD OVER NICKEL PLATE.  
 POWER CONTACTS: HIGH CONDUCTIVITY COPPER ALLOY, GOLD FLASH OVER NICKEL PLATE.  
 SHELLS: STAINLESS STEEL, PASSIVATED.  
 MOUNTING SPACERS: STEEL, ZINC PLATE WITH CHROMATE SEAL.

2. DETAILED PRODUCT, ELECTRICAL, AND MECHANICAL INFORMATION IS AVAILABLE IN THE LATEST STANDARD DENSITY COMBO-D PRODUCT PUBLICATION.  
 VISIT [CONNECTPOSITRONIC.COM/PRODUCTS/1/STANDARD DENSITY COMBO-D OR CONNECTPOSITRONIC.COM](http://CONNECTPOSITRONIC.COM/PRODUCTS/1/STANDARD DENSITY COMBO-D OR CONNECTPOSITRONIC.COM).

3. DIMENSIONS ARE IN INCHES [MILLIMETERS].

		<b>POSITRONIC INDUSTRIES INC.</b> www.connectpositronic.com		FSCM 28198
	CBM SERIES	SCALE N.T.S.	DRAWN BY B SHELLEDY	APPROVED BY R WILLIAMS
DECIMAL TOL. ± 0.015 [0.38]	TITLE <b>CBM17W2S93S00S</b>			
ANGULAR TOL. ± 5°	DATE 5-21-09	DRAWING NUMBER SK10737	REV. A	